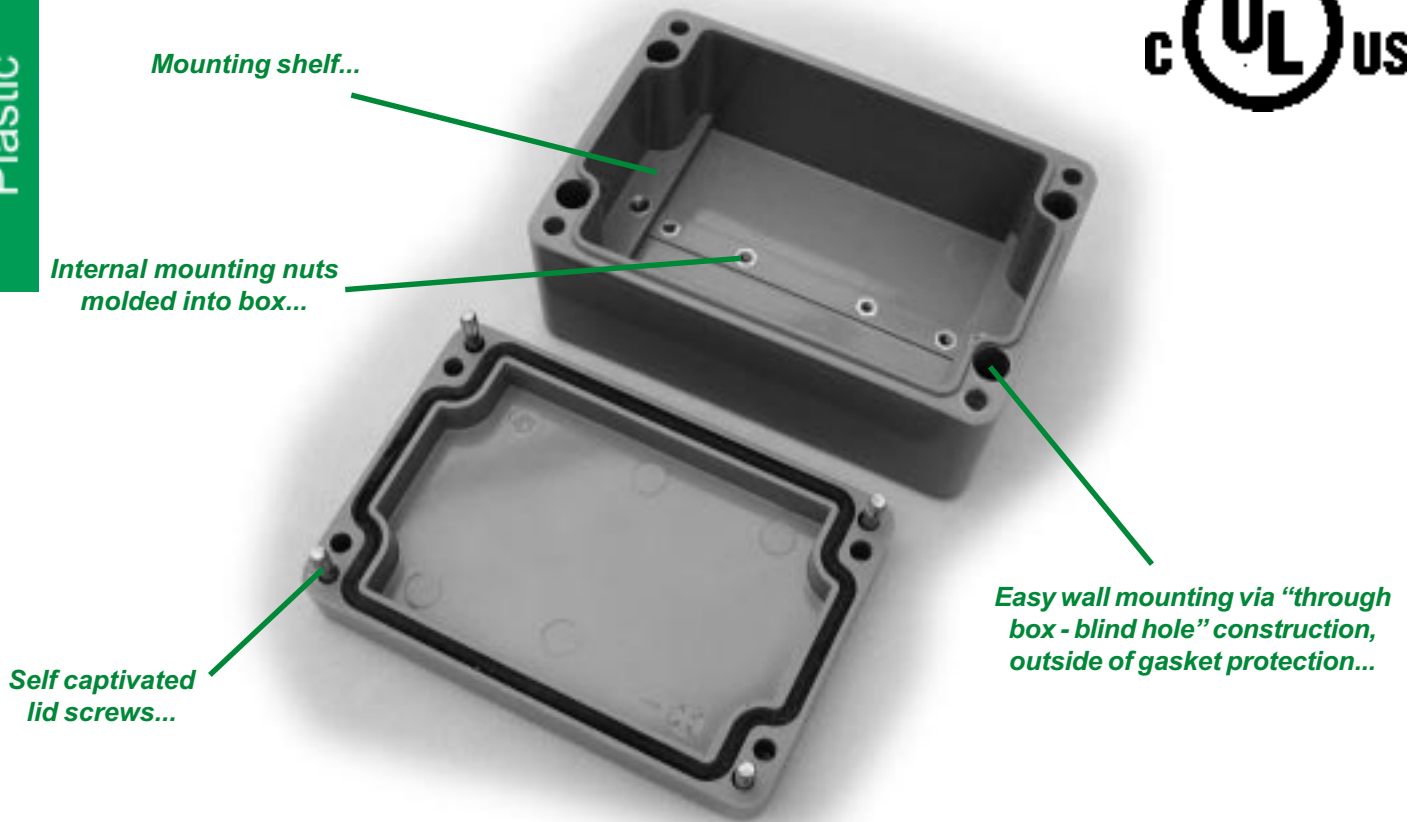


Watertight, heavy duty (1590ZGRP Series)

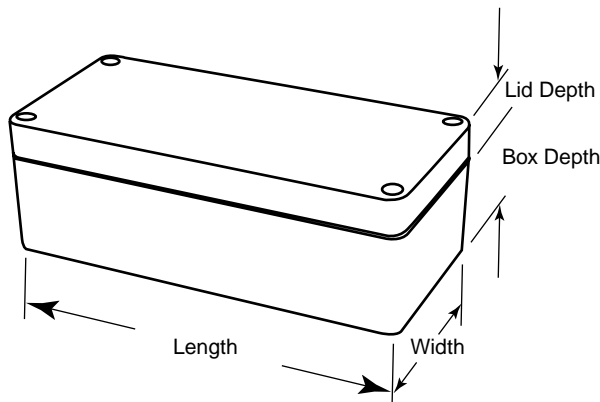


Plastic



OTHER KEY FEATURES

- Molded in grey, glass reinforced polyester.
- Heavy duty, thick wall design.
- Includes gasketed lid with two piece "tongue and groove" construction.
- Gasket material is Mohogumi rubber (EDPM.) Heat resistance 100-120 degree C, cold -40 degree C.
- Designed to meet IP65.
- North American Mark of Safety - cUL & UL listed. Certified to Nema 4X standards (UL508) - File #E65324
- See our sealed diecast aluminum enclosure section for similar sizes, cast in aluminum.



Part Number	Units	Dimensions			
		Length	Width	Box Depth	Lid Depth
1590ZGRP081	inch mm	3.17 80	2.94 75	1.58 40	0.59 15
1590ZGRP082	inch mm	4.32 110	2.94 75	1.58 40	0.59 15
1590ZGRP121	inch mm	4.72 120	4.78 122	2.56 65	0.98 25
1590ZGRP083	inch mm	6.30 160	2.94 75	1.58 40	0.59 15
1590ZGRP161	inch mm	6.30 160	6.30 160	2.76 70	0.80 20
1590ZGRP123	inch mm	8.66 220	4.72 120	2.56 65	0.98 25
1590ZGRP162	inch mm	10.24 260	6.30 160	2.76 70	0.77 20

